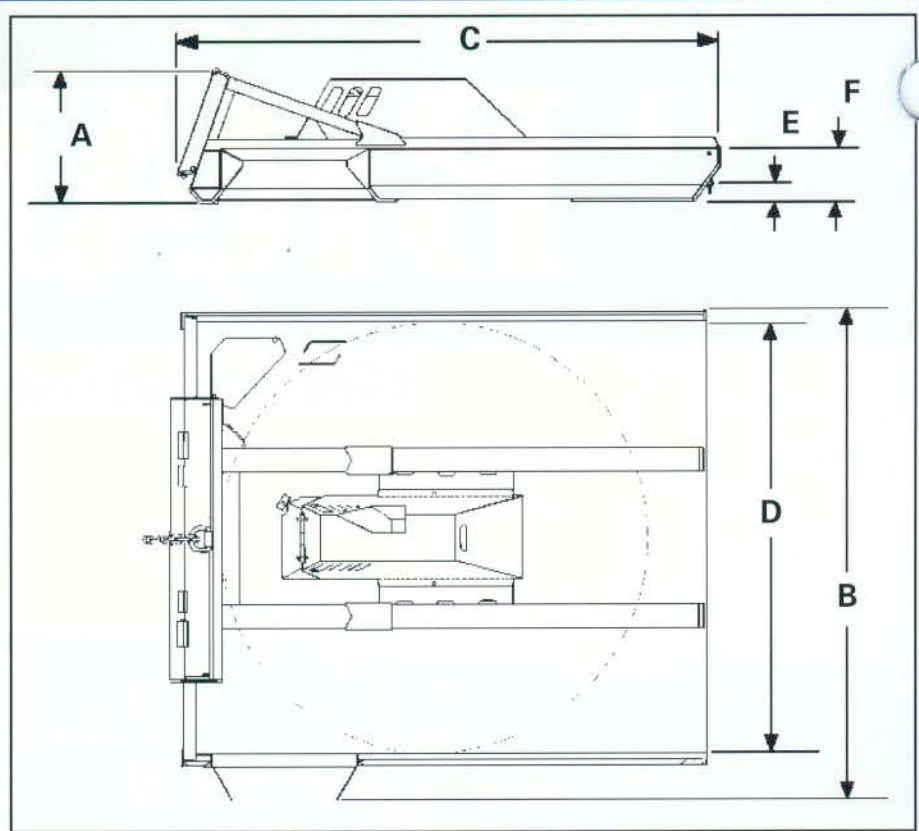


Pow-R-Cutter™

FEATURES & BENEFITS

BRADCO® has provided over 35 years of productivity, reliability and durability.

- 60" & 72" heavy-duty deck width to fit common applications
- heavy-duty ¼" thick steel deck with formed stiffened side plates and heavy-duty skid shoes for added strength and rigidity
- 15-22 GPM, 2 different motor options to match flows - motor protected by crossover relief
- easy maintenance with access ports and hinged shrouding
- blade rotation indicator
- high-speed, dual rotation blades, for brush (up to 4" dia.) and tall grass conditions
- blade options available (heavy banana blade and double-sided blade)



SPECIFICATIONS

DESCRIPTION	60"	72"
A. overall height	22.5"	22.5"
B. overall width	70.0"	82.0"
C. overall length	78.0"	90.0"
D. cutting width	60.0"	72.0"
E. minimum cutting height (skid shoes on ground)	2.00"	2.00"
F. deck height	9"	9"
cutting capacity (maximum cutting diameter)	4"	4"
deck thickness	¼" steel	¼" steel
recommended skid-steer hydraulic GPM	15-20	18-22
required skid-steer lift capacity	1300#	1700#
weight	1100#	1280#

TYPICAL BLADE TIP SPEED (ft./min.)

	60"	72"
motor size (cu in/rev)	6.8	10
15 GPM	14,800	12,040
18 GPM	17,980	14,630
22 GPM	20,100	16,350

Specifications and design are subject to change without notice and without liability therefore. Whenever applicable, specifications are in accordance with SAE standards.

Get Attached®

at
www.attachment.com

- stump jumper
- side discharge with flow control baffle
- lift limiting retention chain
- includes ½" body ISO couplers & hoses
- 1-year warranty